

# Drainage Pipes

## Contents

PMJ – the name for economy and reliability	3
nomic – quality assurance	4
<b>Introduction to PMJ NOMIC</b>	
Approvals and certifications	4
Application examples	5,6
Standard programme overview	7
Nomic Duo	8
Nomic Grip	9
Nomic Electro	10
Nomic Redox	11
<b>Installation instructions</b>	<b>12</b>
<b>Waterproof performance requirements</b>	<b>13</b>
<b>Project References</b>	<b>14</b>

## PMJ – the name for economy and reliability

PMJ-tec AG is a specialized Swiss manufacturer whose task is to be a partner and a guarantee for quality in the demanding field of the building industry. With our extensive production programme we have the capability of solving all our customers fastening problems. Our worldwide contacts keep us abreast of current technical knowledge in production techniques, enabling us to meet the highest standards.

Our qualified staff's excellent product knowledge, along with the application of new technology in our production, creates the base for our high standard, quality minded products. It is the aim of our company, through innovation and creativity, to satisfy the needs of our clients, by finding an economical and reliable solution to their fastening problems.

For over 30 years PMJ-tec AG has produced and distributed couplings for drainage pipes. Over the years we have managed to develop an unequalled coupling programme.

Meeting European industry standards and additional national specifications in conjunction with customer satisfaction are proof of the high quality of our NOMIC couplings. Should you require further information or need a solution to a specific fastening problem, please feel free to contact one of our application orientated sales people. We know PMJ-products – we know which products are right for you.





## Application range of NOMIC couplings

PMJ NOMIC couplings can be installed where a safe and durable connection of drainage pipes is required. The European norm DIN EN 877 applies to component parts, of cast iron pipelines for the building of drainage systems. The norm covers moreover function requests for all component parts including the connections. The PMJ NOMIC couplings conform fully to these specifications.

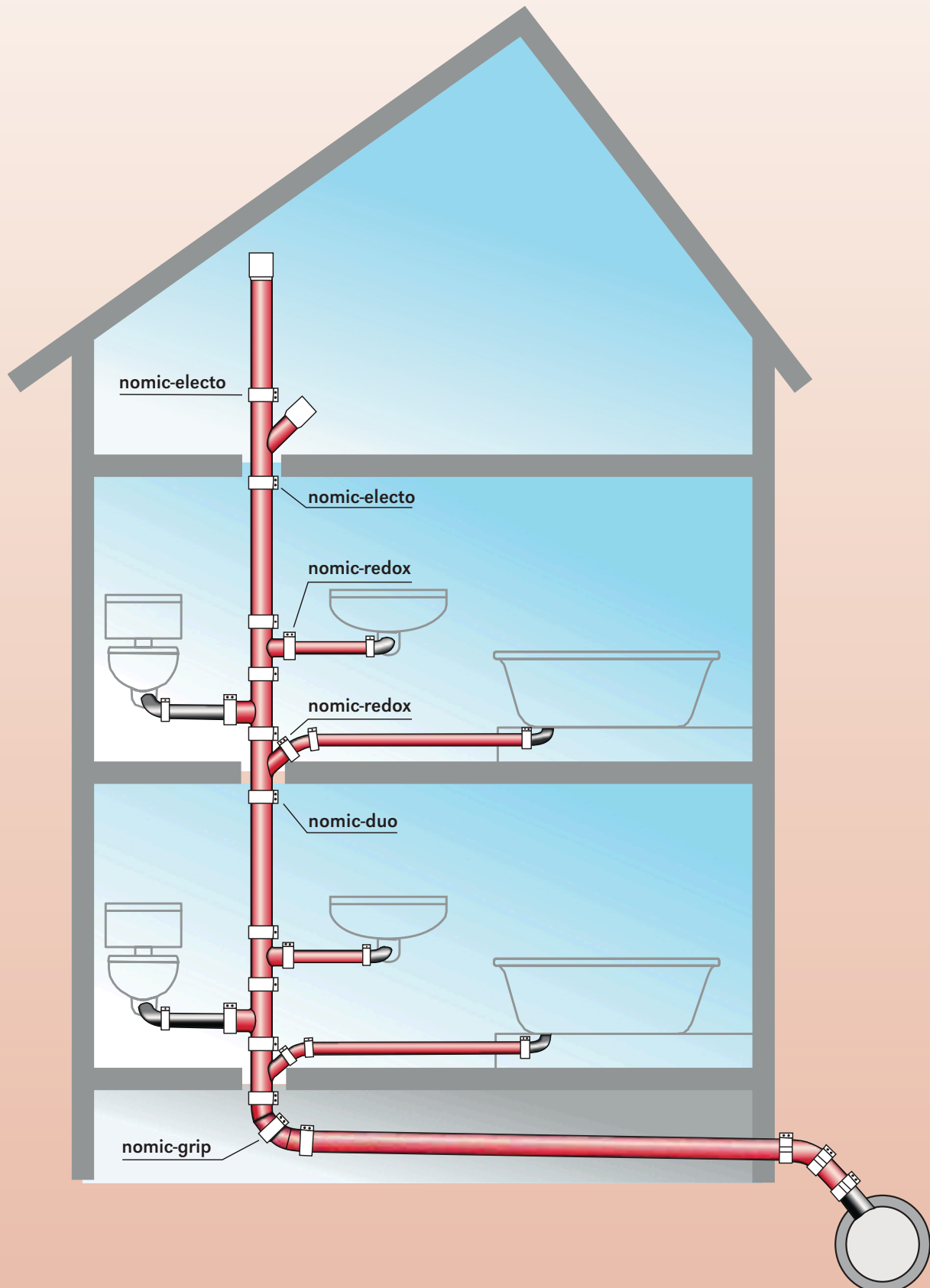
For all other NOMIC couplings which are not included in DIN EN 877, various other approvals and/or test reports exist. We also have suitable couplings for special applications such as bridges

## Approvals and certifications

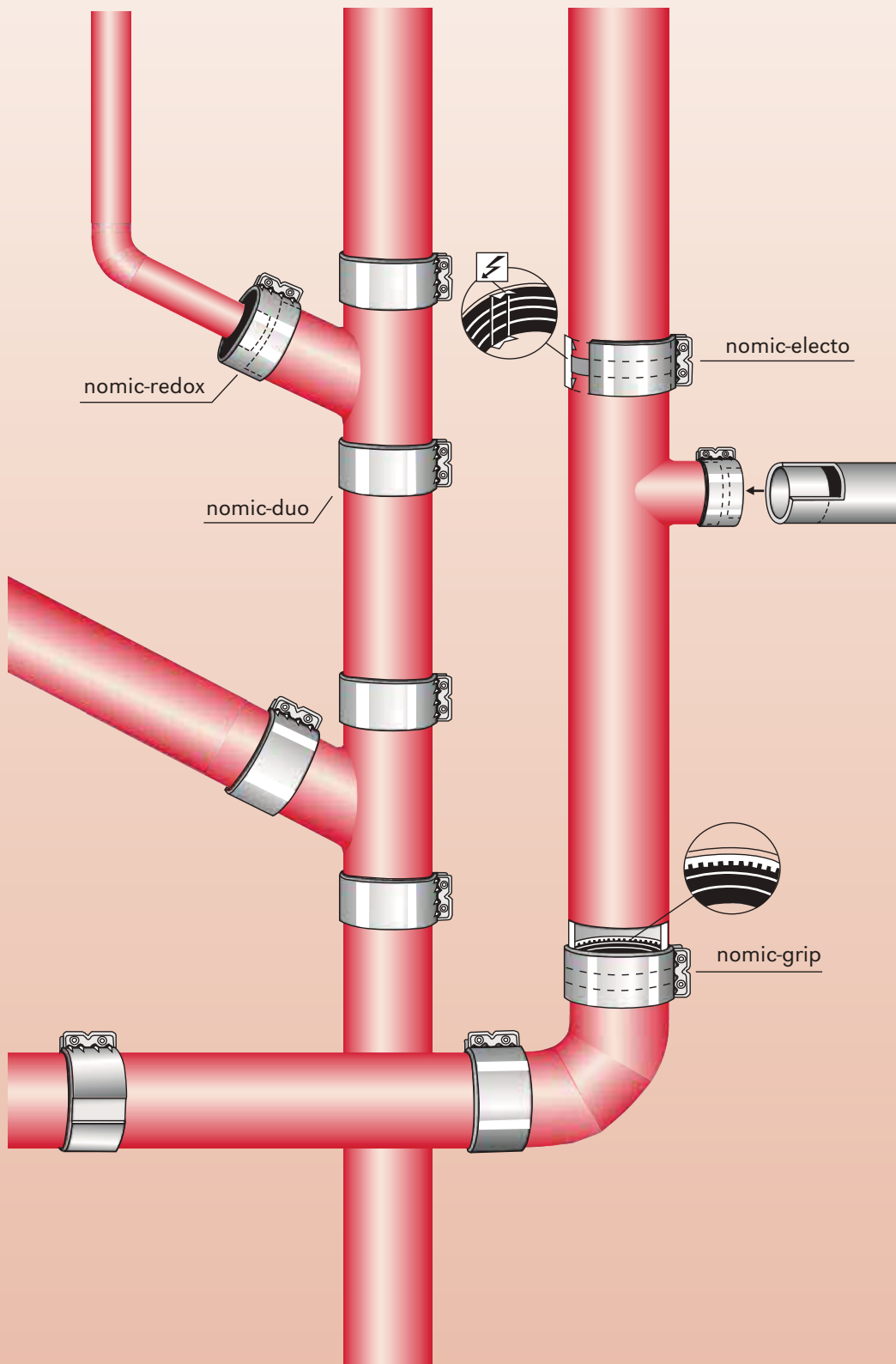
When you specify PMJ NOMIC couplings, you have the assurance of a high quality product, engineered with more than 30 years of knowledge of the fastener industry. In addition to a strict internal quality control underlying the PMJ NOMIC coupling system, we have obtained approvals and certifications through International Institutes and the Quality-Management-System accordant to ISO 9001:2015



## Application examples



## Application examples



## Standard program overview for PMJ nomic-couplings

### For cast iron pipes

DN	Outer pipe diameter		DUO	GRIP	ELECTO
	Min	max (mm)			
40	46,7	49,8	x	x	x
50	57,0	62,0	x	x	x
60	67,2	68,8	x		x
70	77,0	80,0	x	x	x
75	73,0	77,0	x	x	x
3"	82,7	87,3	x	x	x
80	83,0	85,0	x		
80	88,0	90,0	x	x	x
100	108,0	113,0	x	x	x
125	133,0	139,0	x	x	x
150	158,0	162,0	x	x	x
200	208,0	216,0	x	x	x
250	266,0	276,5	x		x
300	323,5	328,5	x		x

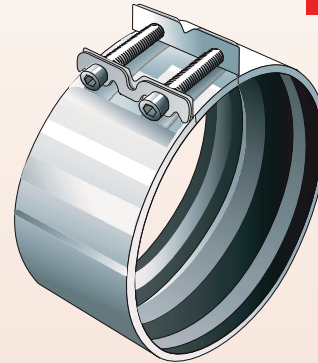
### For fibre cement pipes

DN	Outer pipe diameter		DUO	GRIP	ELECTO
	Min	max (mm)			
50	64,0	67,0	x		
70	84,0	87,0	x		
100	116,0	119,0	x		
125	141,0	144,0	x		
150	168,0	171,0	x		
200	220,0	223,0	x		
250	270,0	273,0	x		
300	322,0	325,0	x		

In addition there are many different diameters for reduction and transition couplings.

## nomic DUO

according to DIN EN 877



### the classic coupling

NOMIC DUO our classic coupling – millions already installed – typified by its still unequalled technical advantages:

All around rim – even in the area between the fixation parts, the rubber gasket is protected against mechanical damage and harmful influence of UV-radiation and ozone. The fixation parts fulfil the increased requests to the corrosion protection in accordance to DIN EN 877.

High sealing lips, allowing easy installation of the complete coupling and covering even large pipe tolerances.

The EPDM gasket is resistant to boiling water.

No welding points in tension loaded areas.

An extra thick center lip prevents the transmission of structure-born noise.

Ready-to-use unit – no loose pieces.

Quick and economical installation.

### The delivery programme for cast-iron<sup>1</sup> sewage pipes

PMJ article no.	Coupling shell	Fixation parts	gasket	dimension
3173	AISI 304	AISI 304	EPDM <sup>2</sup>	DN 40-300
3174	AISI 316	AISI 316	EPDM <sup>2</sup>	DN 40-300

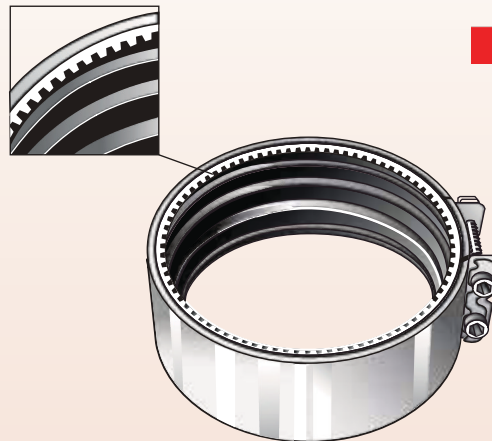
**installation screw torque: min 3 Nm – max 9 Nm**

**certified performance: 0 to 5<sup>3</sup> bar**

1. Other pipe-types on request  
 2. Neoprene-gaskets on request  
 3. Waterproof to the DIN EN 877 test standards: see table p. 13



## nomic GRIP according to DIN EN 877



### strength and safety

NOMIC GRIP incorporates a coupling and grip rim in one product.

This combination makes strong pipe connections that withstand an inner pressure of up to 3 bar<sup>1</sup> without an additional grip rim.

The inserted cold-formed stainless-steel grip ring helps prevent the pipes from slipping out of the coupling

The security performance has been documented in test certificate no.: 22 05177 88-02 issued by the governmental material testing authority of Nordrhein Westfalen.

Because of the isolating performance of the raised central rubber ridge, the NOMIC GRIP does not show higher sound transmission than conventional couplings.

### The delivery programme for cast-iron sewage pipes

PMJ article no.	Coupling shell	Fixation parts	gasket	dimension
3173G	AISI 304	AISI 304	EPDM	DN 50-200

**installation screw torque: min 3 Nm – max 9 Nm**

1. Axial load resistance  
 DN 50 up to DN 100 3 bar  
 DN 125 1,5 bar  
 DN 150 up to DN 200 1,0 bar

## nomic ELECTO

according to DIN EN 877



### the classic coupling

NOMIC ELECTO was developed to meet the requirements of British standard BS 6087, and guarantees the electrical continuity between two cast-iron pipes so that the drainage pipes can be used for earthing.

NOMIC ELECTO has been certified by the British Board of Agreement (BBA).

### The delivery programme for cast-iron sewage pipes

PMJ article no.	Coupling shell	Fixation parts	gasket	dimension
3173E	AISI 304	AISI 304	EPDM <sup>1</sup>	DN 40-300
3141	AISI 316	AISI 316	EPDM <sup>1</sup>	DN 40-300

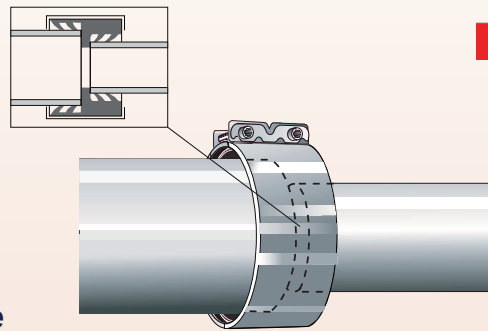
**installation screw torque: min 3 Nm – max 9 Nm**

**certified performance: 0 to 5<sup>3</sup> bar**

1. Neoprene-gaskets on request  
 2. Waterproof to the DIN EN 877 test standards: see table p. 13

## nomic REDOX

according to DIN EN 877



### reduction and coupling all in one

The pipe diameter reduction is done directly through the coupling.

These special reduction couplings eliminate the need for a cast-iron fitting and an additional coupling, thus saving both time and material.

### A summary of the Nomic Redox programme

PMJ article no.	Coupling shell	Fixation parts	gasket
3173E	AISI 304	AISI 304	EPDM <sup>1</sup>

### The delivery programme

DN / DN	Outer pipe diameter pipe 1	Outer pipe diameter pipe 2
	up to (mm)	Up to in mm
56 / 50	54.0 - 58.0	64.0 - 67.0
50 / 70	48.0 - 52.0	84.0 - 87.0
50 / 70	57.0 - 62.0	77.0 - 80.0
50 / 75	57.0 - 62.0	73.0 - 77.0
50 / 100	57.0 - 62.0	108.0 / 113.0
54 / 70	52.0 - 56.0	73.0 - 77.0
54 / 75	52.0 - 56.0	73.0 - 77.0
56 / 70	54.0 - 58.0	84.0 - 87.0
60 / 80	67.2 - 68.8	88.0 - 90.0
63 / 70	61.0 - 65.0	84.0 - 87.0
70 / 100	77.0 - 80.0	108.0 - 113.0
70 / 100	84.0 - 87.0	116.0 - 119.0
75 / 70	73.0 - 77.0	84.0 - 87.0
75 / 83	73.0 - 77.0	84.0 - 87.0
75 / 100	73.0 - 77.0	108.0 - 113.0
80 / 90	88.0 - 92.0	97.0 - 100.0
80 / 100	88.0 - 90.0	108.0 - 113.0
90 / 100	88.0 - 92.0	116.0 - 119.0
100 / 110	116.0 - 119.0	108.0 - 113.0
100 / 125	108.0 - 113.0	133.0 - 139.0
100 / 125	116.0 - 119.0	141.0 - 144.0
125 / 125	123.0 - 127.0	141.0 - 144.0
135 / 125	133.0 - 139.0	141.0 - 144.0
150 / 1-	158.0 - 162.0	108.0 - 113.0

installation screw torque: min 3 Nm – max 9 Nm

certified performance: 0 to 5<sup>1</sup> bar

1. Waterproof to the DIN EN 877 test standards: see table p. 13

## Installation instructions

All PMJ NOMIC couplings (DUO, GRIP, ELECTO, REDOX) are delivered pre-assembled and can be installed onto the pipe end without prior assembly.

The couplings are mounted onto the pipe-end or fitting. Afterwards the next pipe-end or fitting is inserted from the other side.



The bolts can be fastened with a torque wrench or with an electric screwgun.



## Waterproof performance requirements according to DIN EN 877

Test conditions	hydrostatic test pressure (bar)			
	DN < DN 200		DN ≥ DN 200	
	inside	outside	inside	outside
a) aligned	0 to 5 <sup>1</sup>	0 to 0.5 <sup>2,3</sup>	0 to 3 <sup>1</sup>	0 to 0.5 <sup>2,3</sup>
b) bent	0 to 5 <sup>1</sup>		0 to 3 <sup>1</sup>	
c) under shear load	0 to 1 <sup>1,2</sup>		0 to 1 <sup>1,2</sup>	

1. 0 bar to 0,5 bar Water pressure for connections which are exposed to limited pressure;  
0 bar to 0,1 bar Water pressure for joints to sanitary equipment (e.g. WC, lavatory)
2. gaskets for below ground installation only
3. not applicable for nominal diameters less than DN 100 and not for joints to sanitary equipment (e.g. WC, lavatory)

**note: 1 bar = 100 KPa = 0,1 MPa**

The pressure tests are conducted with axially restrained pipes

## Project references

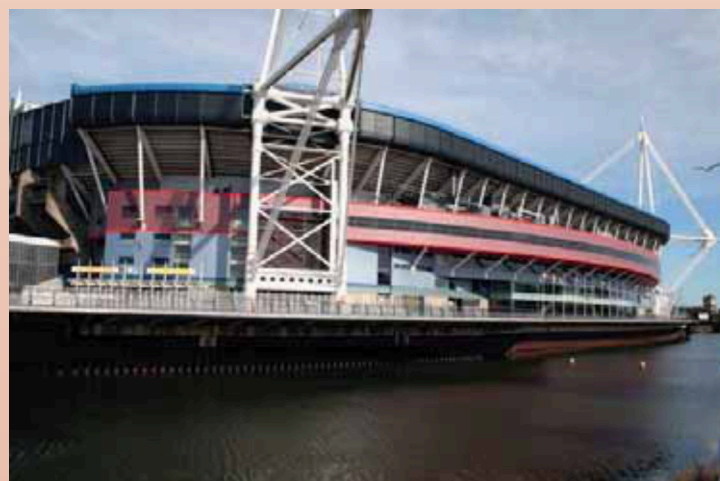
PMJ has proven their product quality and supply through numerous international prestige projects.



Hospital Walsgrave, Great Britain



Hospital Norfolk, Great Britain



Millenium Stadium, Great Britain

## Disclaimer

Specifications and information contained in this brochure are believed to be correct at the date of publication. PMJtec AG reserves the right to alter specifications and products, without notice. Please contact us at <https://pmjtec.com/locations/contact-ch/> for details.

Product specifications and technical information apply only to the uses described and are also subject to installation and technical specifications and instructions. Customers are responsible for ascertaining whether specific products are suitable for their intended purpose and are compliant with applicable laws and conditions of use. Customers should always seek expert advice as to the suitability of the use of specific products.

All purchases of PMJtec AG's Products are subject to PMJtec AG's Standard Terms & Conditions of Sale, which can be seen at <https://pmjtec.com/pmjtec-documents/pmjtec-ag-tcs/>

We will update our brochures from time to time. The current version of this brochure can be found at <https://pmjtec.com/pmjtec-documents/pmjtec-brochures/>

PMJtec AG is registered in Fribourg, Switzerland (number 50086/1975), with its headquarters' at Industriestrasse 34, CH-1791 Courtaman, Switzerland.

® is a registered trademark of PMJtec AG in Switzerland, the UK and certain other countries. All rights reserved

2023 PMJtec AG. All rights reserved.

# Drainage Pipes



## Headquarters and Manufacturing Centre

PMJ-tec AG

Industriestrasse 34  
CH-1791 Courtaman  
Switzerland

+41 26 684 74 00  
[www.pmj-tec.com](http://www.pmj-tec.com)

## International Market Organisations

PMJ-tec GmbH

Straße der Jugend 5F  
D-04916 Schönwalde  
Germany

+49 35362 / 74 79 - 00  
[de.info@pmj-tec.com](mailto:de.info@pmj-tec.com)

PMJ-tec BV

De Gouwe 30  
NL-8253 PA Dronten  
Netherlands

+31 321 387 040  
[nl.info@pmj-tec.com](mailto:nl.info@pmj-tec.com)

## Application fields

### Roofing & Cladding



### Rainscreen Cladding



### Drainage Pipes

